

The single inlet Blower Wheel is available in dia. 76 to 224 mm with either an aluminium or steel hub for a motorshaft or to fit an external rotor motor with dia 59, 72 or 92 mm diameter. Fergas unique manufacturing technique results in a stronger yet lighter construction than the traditional tablock blower wheel. Fergas has the ability to customise the blower wheel design after customers requirements.

ØDim	B	ØD1	ØD2	ØD3	Max RPM
76	25-42	62	57.5	4-10	10000
85	27-60	70	67	4-10	9000
97	22-52	82	79	4-10	7800
108	32-62	90	85	4-14	7000
120	22-74	102	97	4-14	6300
133	30-75	115	109	4-19	5700
140	30-75	124.5	122	8-19	5400
146	34-82	125	120	8-19	5200
160	34-92	140	131	8-19	4700
180	32-95	160	150	8-29	4200
200	22-102	170	164	8-29	3800
224	42-102	192	185	8-29	3400

Radial blower wheel description example:

KNA-e 133x75 R N2-6

Radial blower wheel

Single inlet

Diameter

Width

Clockwise rotation (CW)

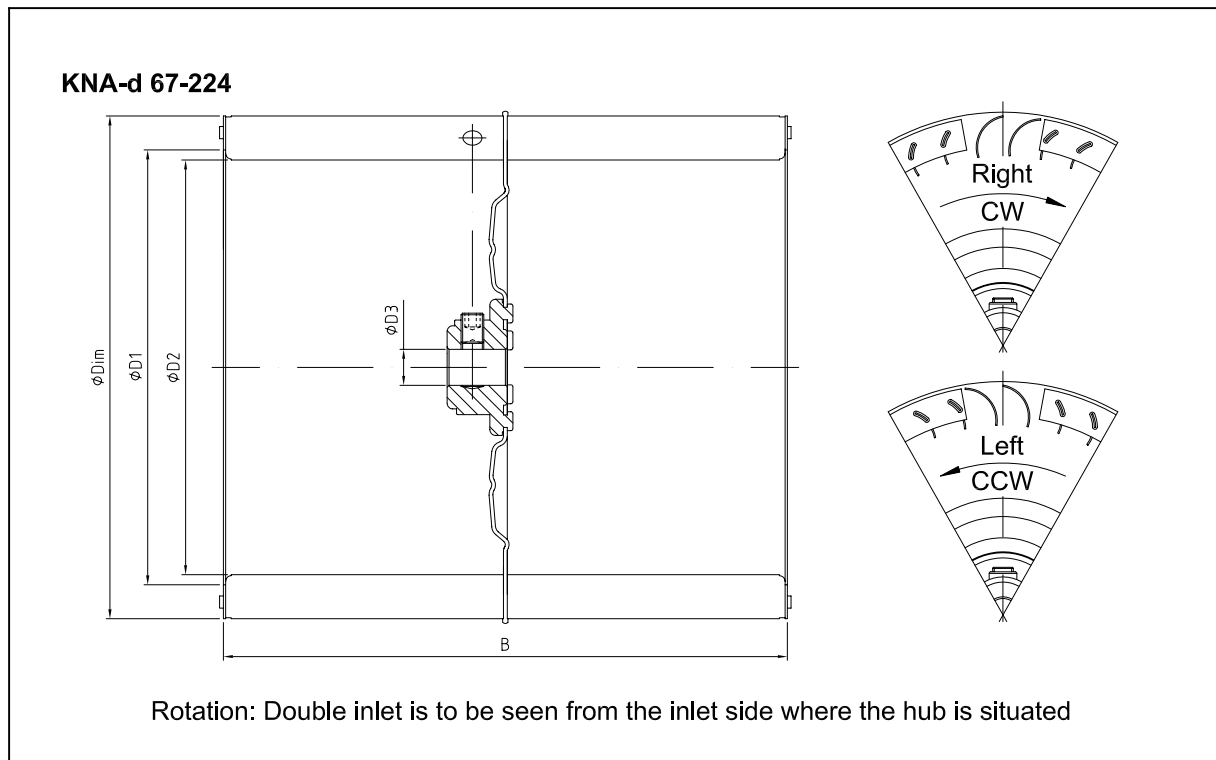
Hub type

Hub bore



Experts in moving air





The double inlet Blower Wheel is available in dia. 76 to 224 mm with either an aluminium or steel hub for a motorshaft or to fit a 92 mm diameter external rotor motor. Fergas unique manufacturing technique results in a stronger yet lighter construction than the traditional tablock blower wheel. Fergas has the ability to customise the blower wheel design after customers requirements.

ØDim	B	ØD1	ØD2	ØD3	Max RPM
67	42-62	53	48.5	4-10	14000
76	42-75	62	57.5	4-10	12000
85	42-86	70	67	4-10	9000
97	70-120	82	79	4-10	7800
108	51-124	90	85	4-14	7000
120	52-106	102	97	4-14	6300
133	106-196	115	109	4-19	5700
146	75-240	125	120	8-19	5200
160	90-248	140	131	8-19	4700
180	152-204	160	150	8-29	4200
200	166-206	170	164	8-29	3800
224	186-208	192	185	8-29	3400

Radial blower wheel description example:

KNA-d 133x150 R N3-8

Radial blower wheel —

Double inlet —

Diameter —

Width —

Clockwise rotation (CW) —

Hub type —

Hub bore —



Experts in moving air

